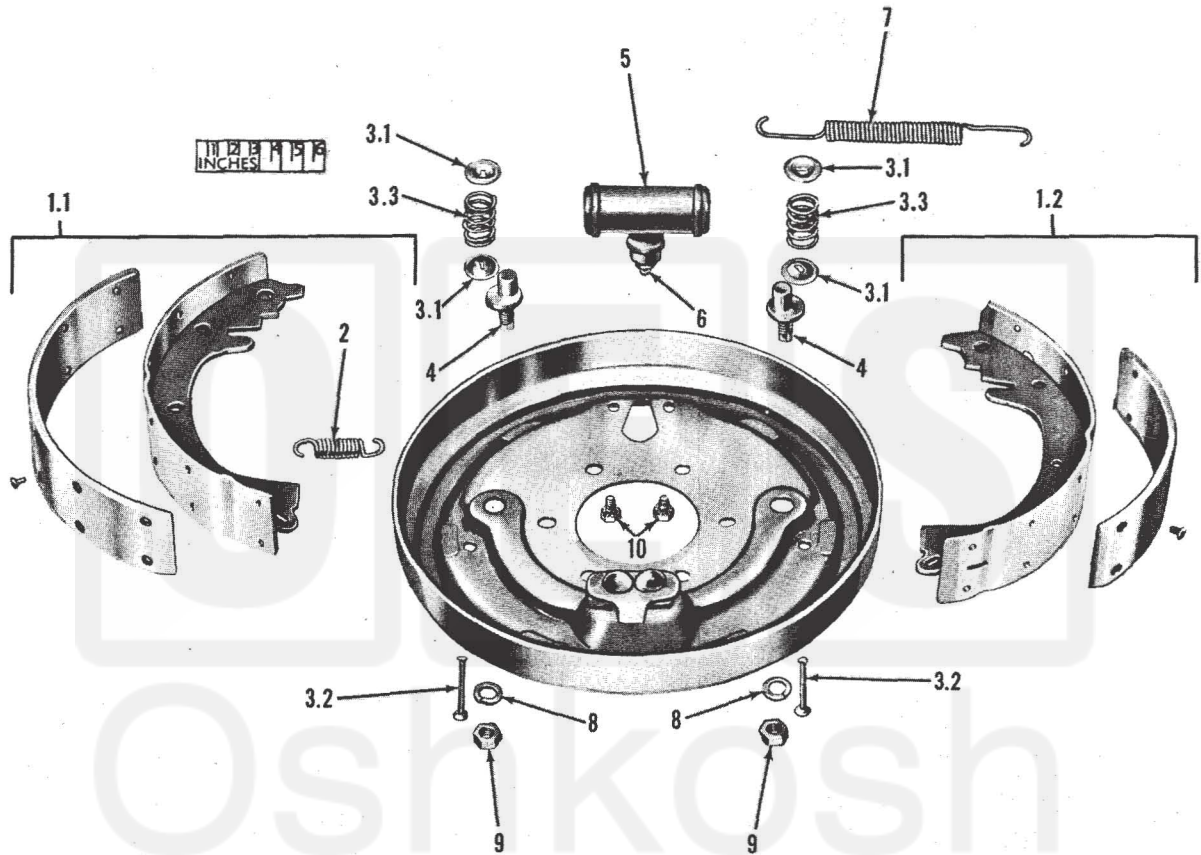


T 9-2320-208-20P



ORD E64895

Figure 51. Service brake assembly

(1) ILLUST		(2) SOURCE, MAINT AND RECOVERABILITY CODE				(3) FEDERAL STOCK NO	(4) DESCRIPTION	(5) UNIT OF ISSUE	(6) QTY INC IN UNIT	(7) 15-DAY MAINT ALW PER 100 EQUIP	
(a) FIG NO	(b) ITEM NO	(a) MATERIEL CODE	(b) SOURCE	(c) MAINTENANCE LEVEL	(d) RECOVERABILITY				(a) CO OR BTRY	(b) CO SEP BN OR RECT	
12 - BRAKES - Continued											
<u>1202 - SERVICE BRAKE ASSEMBLY (Fig. 51)</u>											
51	1	C	O			2530-307-8860	KIT: shoe, w/lining, assy (8329612) Composed of: 2 SHOE, front, w/lining, assy (65909-807377) 2 SHOE, rear, w/lining, assy (65909-807378)	ea	2		
	1.1										
	1.2										
51	2	C	O			5340-200-8977	SPRING, HELICAL, EXTENSION: shoe retainer anchor end (8329611)	ea	4		
51	3	C	O			2530-301-7762	KIT: brakeshoe hold-down (8333105) Composed of: 4 CUP (65909-391404) 2 PIN (65909-807374) 2 SPRING (65909-636863)	ea	4		
	3.1										
	3.2										
	3.3										
51	4	C	O			2530-040-2497	ECCENTRIC: adjusting, shoe (8329607) -----	ea	4		
51	5	C	O			2530-918-0602	CYLINDER: rear wheel, assy (7324407) -----	ea	2		
51	5	C	O			2530-554-8776	CYLINDER: front wheel, assy (8328442) -----	ea	2		
		P	O			5306-042-3553	BOLT, ASSEMBLED WASHER: hex-hd, ext-teeth lockwasher, S, cd- or zn-pltd, 1/4-20UNC-2A x 3/8 (423533)	ea	2		
51	6	C	O			2530-769-7462	BLEEDER VALVE, HYDRAULIC: wheel cylinder (7697462)	ea	4		
51	7	C	O			5340-741-2129	SPRING HELICAL, EXTENSION: retracting, shoe (7412179)	ea	4		
51	8	P	O			5310-012-0382	WASHER, LOCK: split, med, S, cd- or zn-pltd, 3/8 screw size (120382)	ea	4		
51	9	P1	O			5310-543-5653	NUT, PLAIN, HEXAGON: S, cd- or zn-pltd, 3/8-24UNF-2B, 9/16 w, 21/64 thk (120369)	ea	8		
51	10	P1	O			5306-042-3553	BOLT, ASSEMBLED WASHER: hex-hd, ext-teeth lockwasher S, cd- or zn-pltd, 1/4-20UNC-2A x 3/8 (423553)	ea	8		
55	6	C	O			2530-495-9594	GASKET: rear brake grease slinger (7697463) -----	ea	4		
<u>NON-ILLUSTRATED ITEM</u>											
		P	O			5310-637-9541	WASHER, LOCK: split, med, S, cd- or zn-pltd, 3/8 screw size (96906-35338-46)	ea	4		